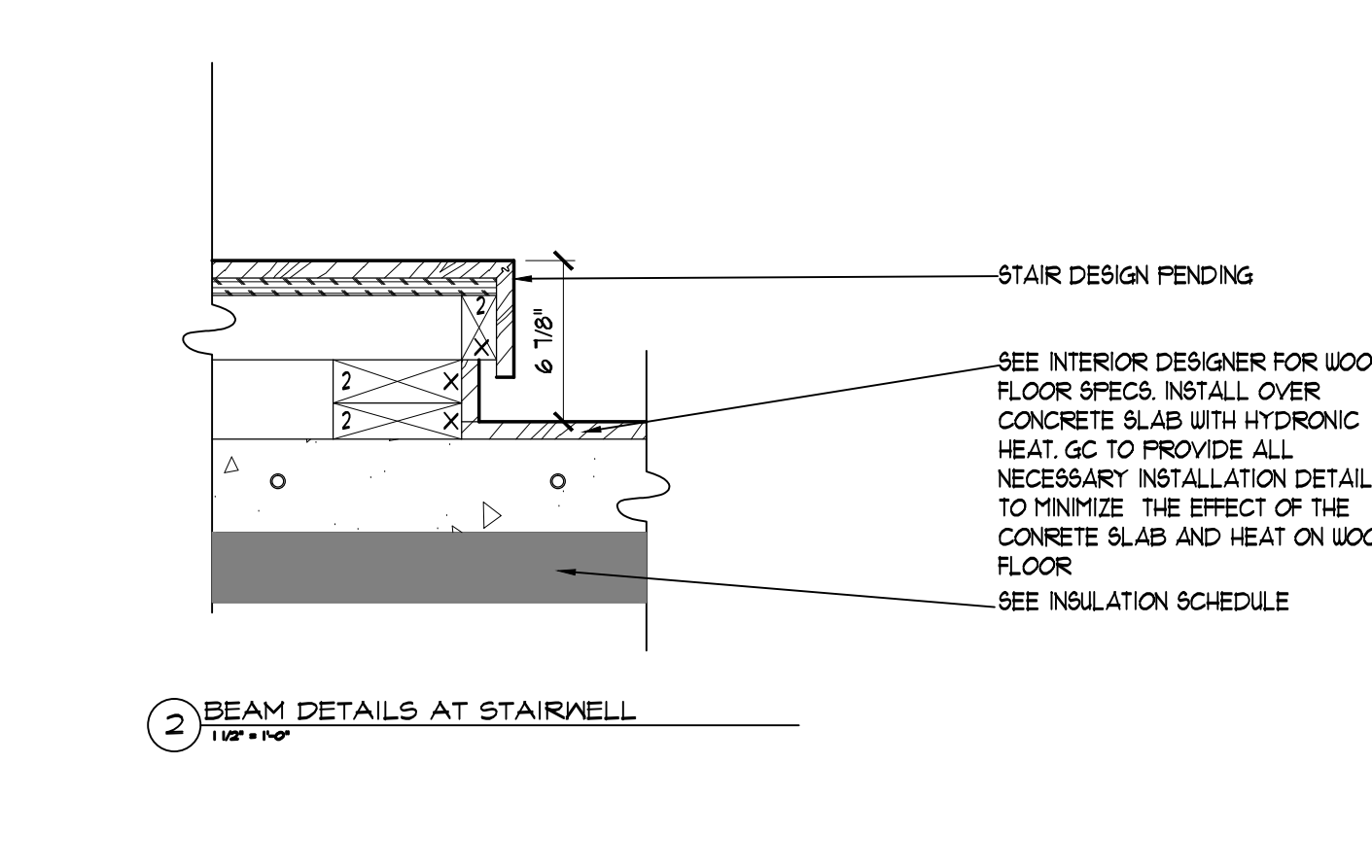
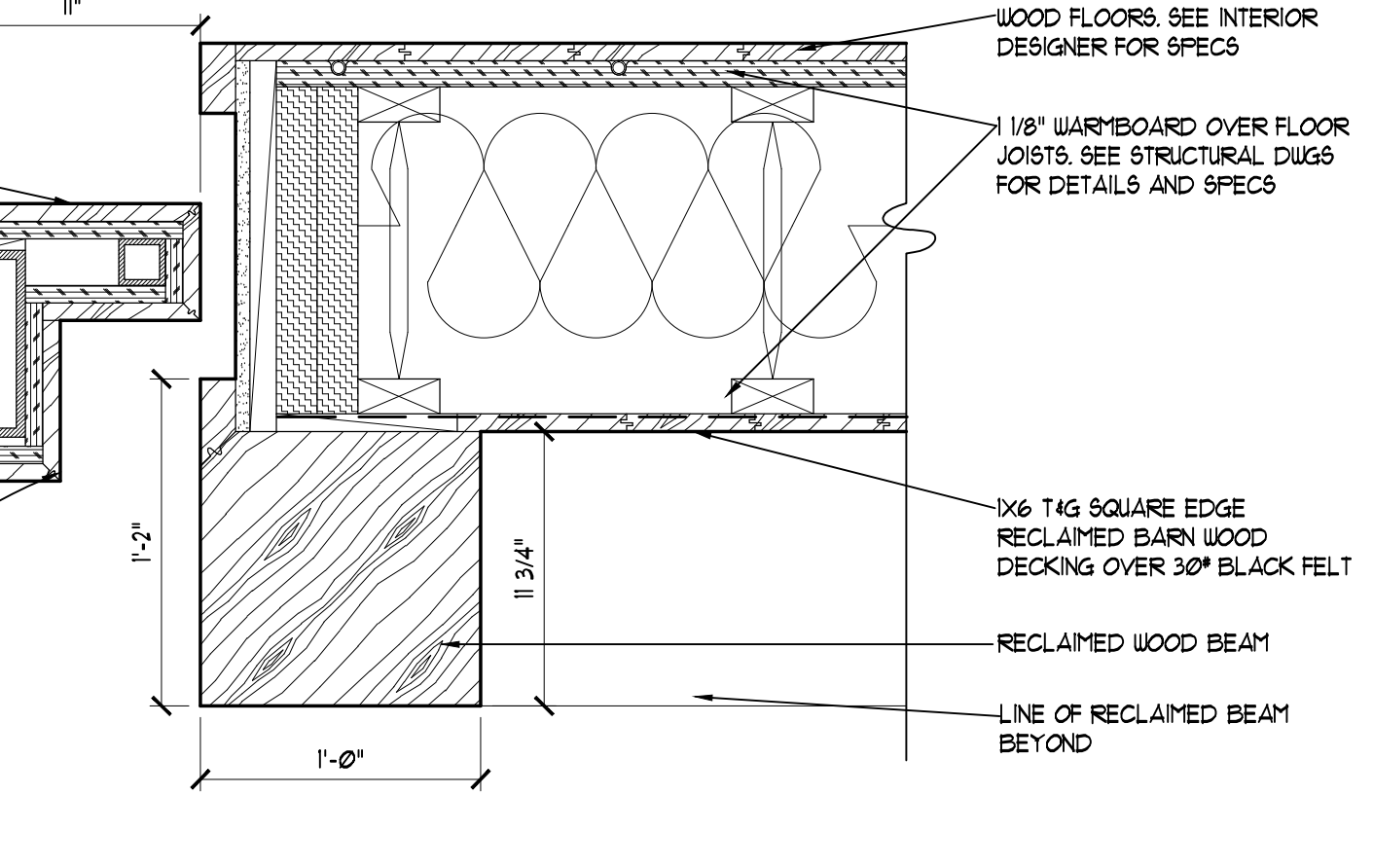
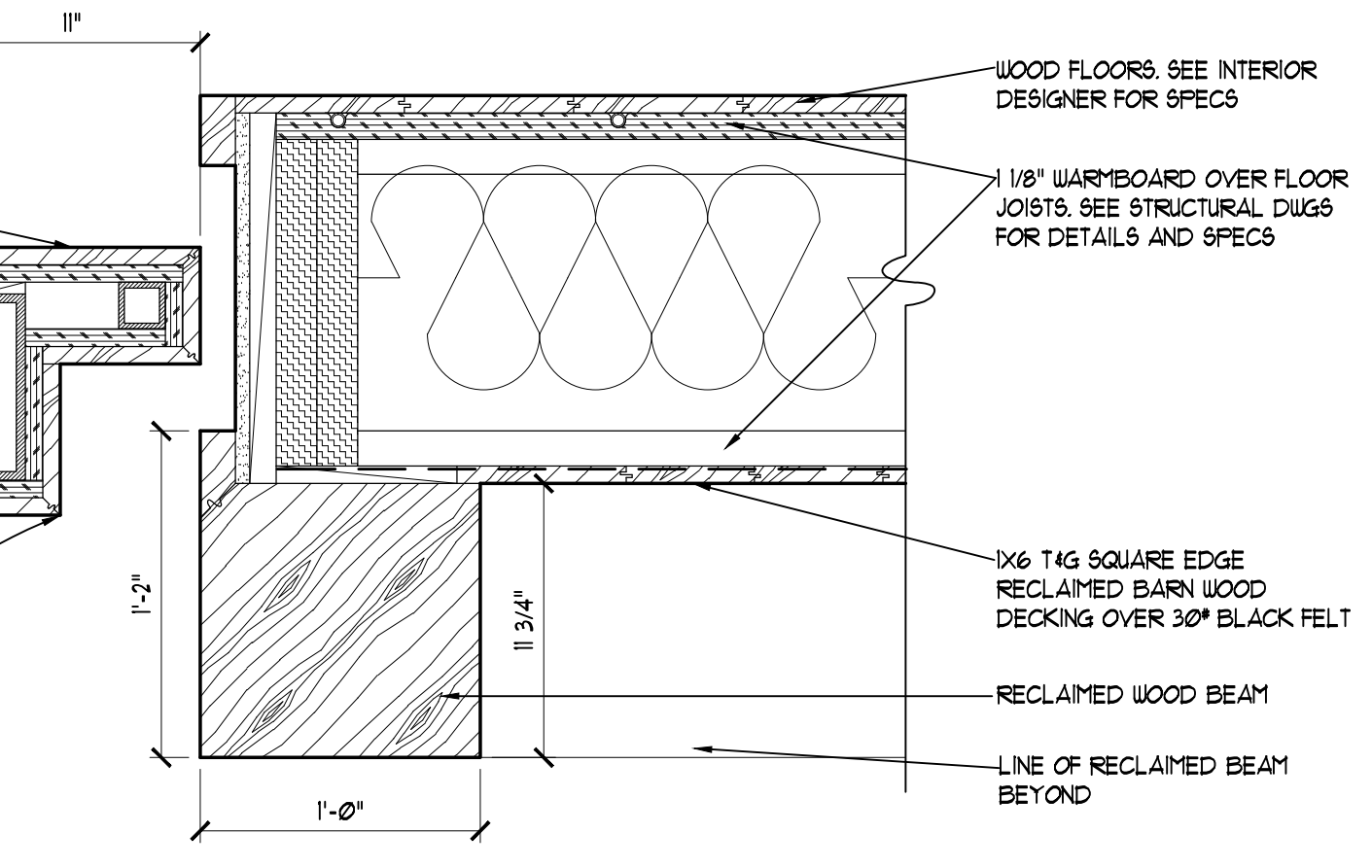
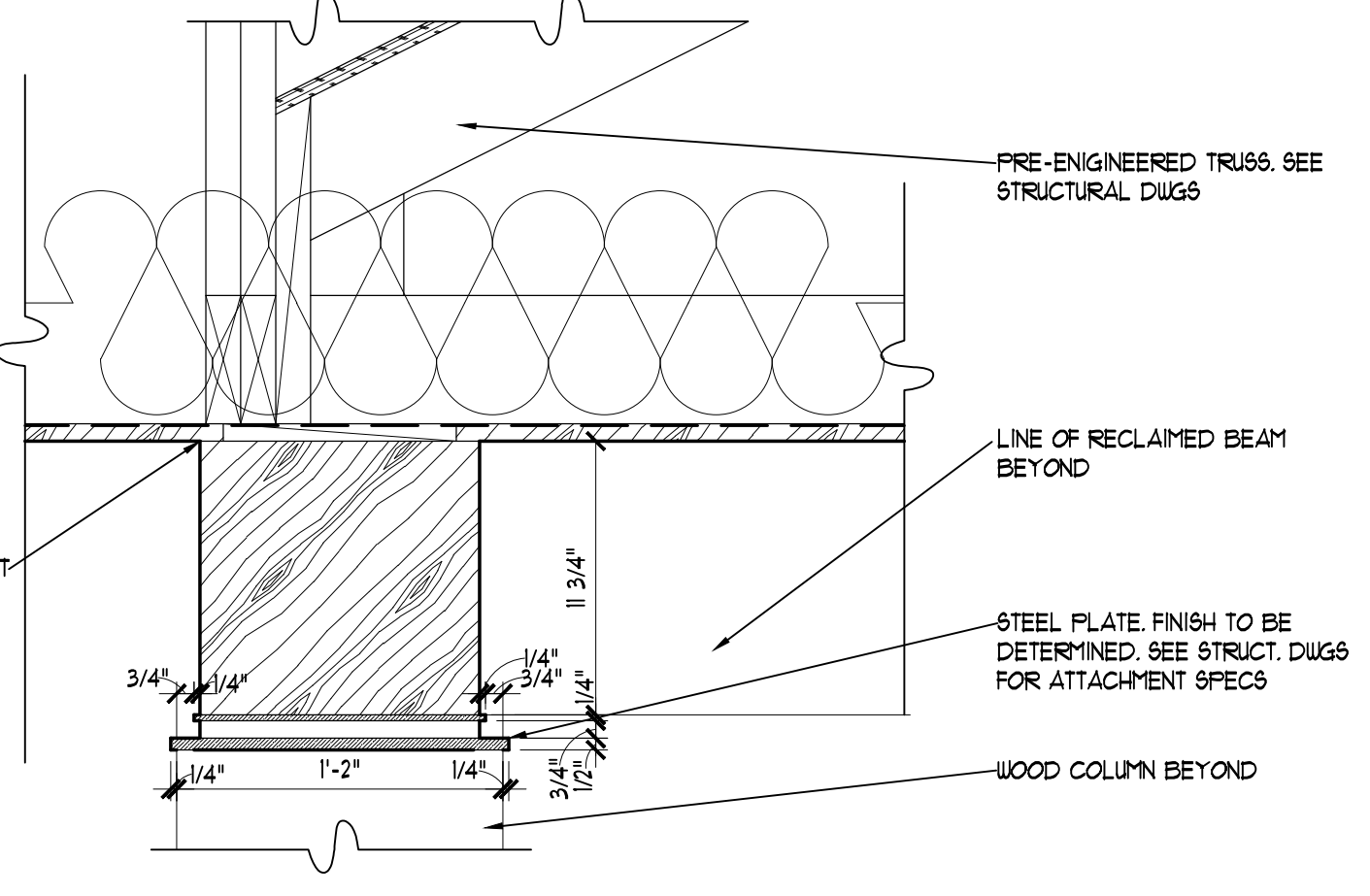


1 SHADE POCKET AT STAIRWELL
1/8\"/>



2 BEAM DETAILS AT STAIRWELL
1/8\"/>



BOX 4119
JACKSON, WY 83001
307-733-5697
FAX 307-733-5761

MORSE RESIDENCE

6030 W. LAZY H ROAD
TETON COUNTY, WYOMING

STRUCTURAL ENGINEERS:
GAS STRUCTURAL ENGINEERS
1000 W. FALLS, IDAHO (208)523-6918

MECHANICAL/ELECTRICAL ENGINEERS:
CN ENGINEERS
JACKSON, WY 83001 (307)733-9765

Date: **CONSTRUCTION SET**
06.19.2015
Revisions:
A 11.23.2015
B 10.09.2015